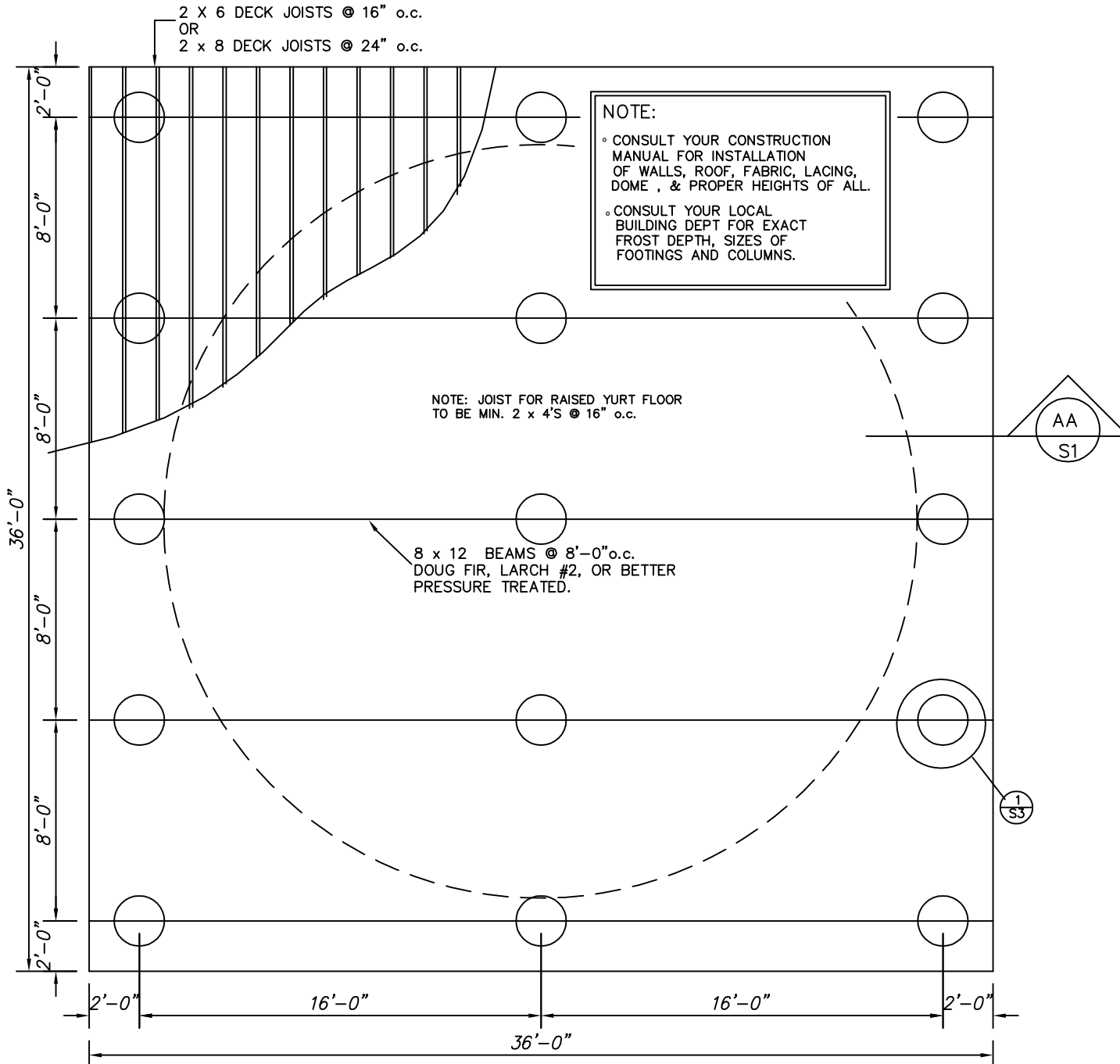


NOTE:  
 CONSULT YOUR CONSTRUCTION MANUAL FOR  
 INSTALLATION OF WALLS, ROOF, FABRIC,  
 LACING, DOME , & PROPER HEIGHTS OF ALL.

30' YURT BUILDING SECTION A-A | SHEET #1



30' YURT FOUNDATION/FLOOR PLAN || SHEET #2

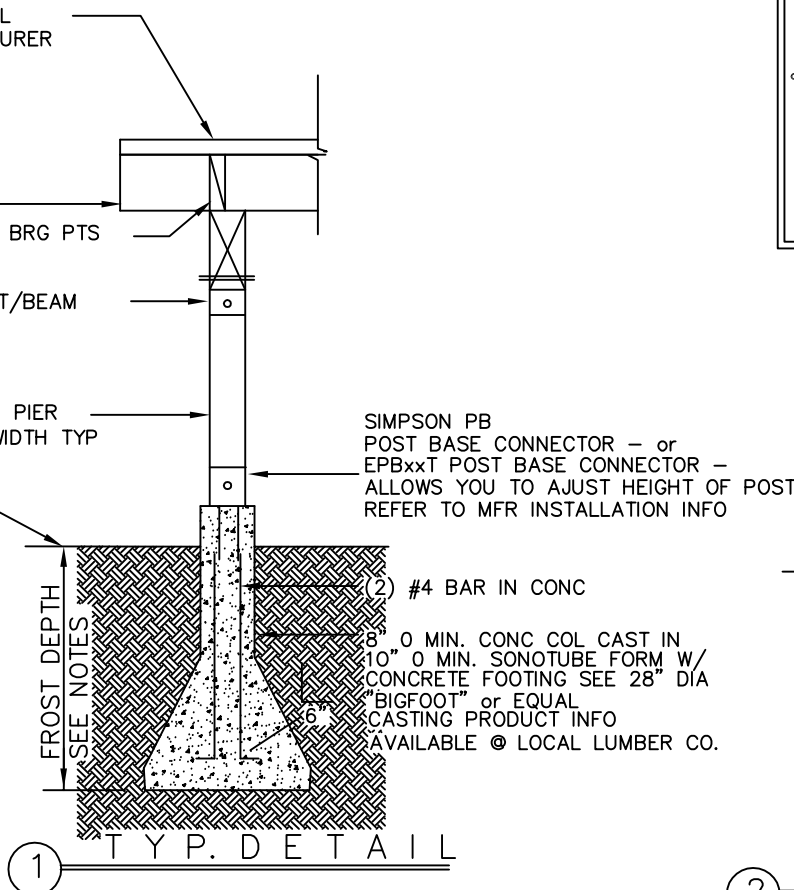
TREX DECKING OR EQUAL  
SECURE PER MANUFACTURER  
SPECIFICATIONS

2 x DECK JOISTS  
2 x SOLID BLOCKING @ BRG PTS

SIMPSON PC @ EA POST/BEAM  
CONNECTION

SUPPORT POST @ EA. PIER  
SIZE TO MATCH BEAM WIDTH TYP

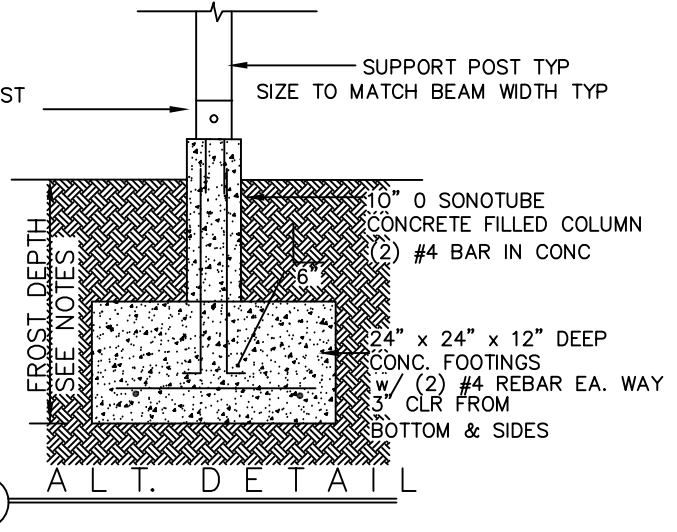
FINISHED GRADE

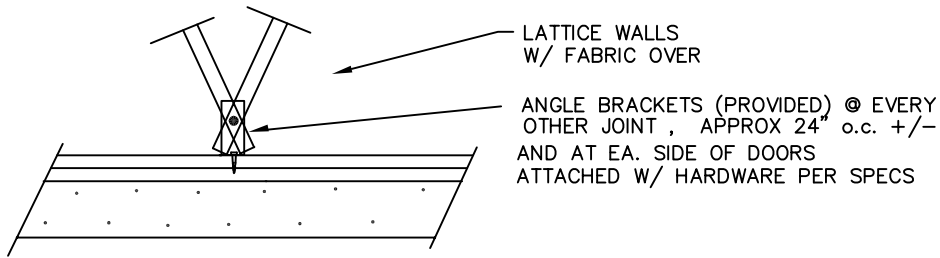


NOTE:

- CONSULT YOUR CONSTRUCTION MANUAL FOR INSTALLATION OF WALLS, ROOF, FABRIC, LACING, DOME , & PROPER HEIGHTS OF ALL.
- CONSULT YOUR LOCAL BUILDING DEPT FOR EXACT FROST DEPTH, SIZES OF FOOTINGS AND COLUMNS.

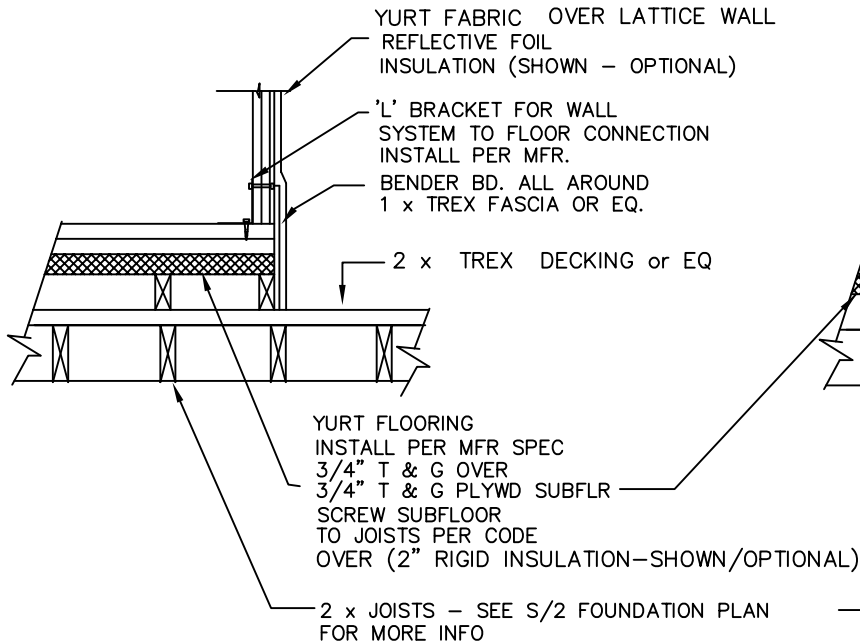
OPTIONAL ALTERNATE FOUNDATION PLANS & DETAILS - SEE SHEETS #6 & #7 FOR INFO



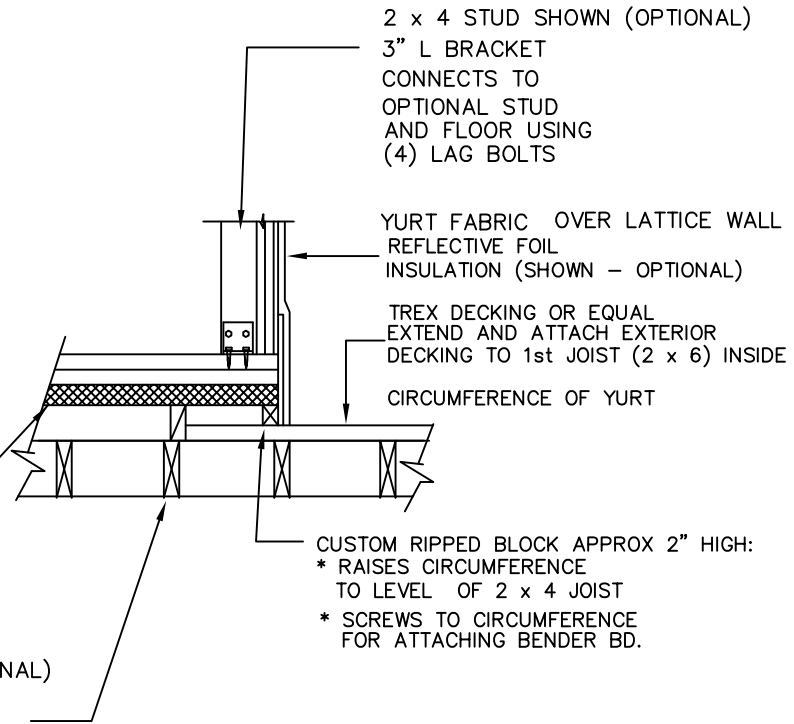


3 DETAIL  
LATTICE ATTACHMENT

NOTE:  
CONSULT YOUR CONSTRUCTION MANUAL FOR  
INSTALLATION OF WALLS, ROOF, FABRIC,  
LACING, DOME , & PROPER HEIGHTS OF ALL.



1 TYP. DETAIL  
FLOOR/DECK CONNECTION



2 ALT. DETAIL  
FLOOR/DECK CONNECTION  
ALSO REFER TO DETAIL 1/S6 FOR MORE INFO

FABRIC OVER RAFTER  
INSTALL PER MFR  
(INSULATION OPTIONAL)

ROOF FRAMING  
2 x 4 RAFTERS TYP  
(2 x 6 OPTIONAL)

YURT FABRIC  
OVER LATTICE WALL  
CONSTRUCTION

TRUSS PLATE (PROVIDED)– USE  
1 EACH SIDE OF STUD TYP.  
W/10 – #8 HEX HEAD SHEET METAL SCREWS  
AT EA. CONNECTION POINT  
W/ OPTIONAL STUD

2 x 4 STUD SHOWN (OPTIONAL)  
(INSULATION OPTIONAL)

3

AL T. D E T A I L

WALL/RAFTER CONNECTION  
(SHOWING OPTIONAL STUD CONNECTION)

FABRIC OVER RAFTER  
INSTALL PER MFR  
(INSULATION OPTIONAL)

ROOF FRAMING  
2 x 4 RAFTERS TYP  
(2 x 6 OPTIONAL)

YURT FABRIC  
OVER LATTICE WALL  
CONSTRUCTION

TYPICAL CABLE AND SCREW  
CONNECTION (PROVIDED)

1

T Y P. D E T A I L

WALL/RAFTER CONNECTION

NOTE:

CONSULT YOUR CONSTRUCTION MANUAL FOR  
INSTALLATION OF WALLS, ROOF, FABRIC,  
LACING, DOME , & PROPER HEIGHTS OF ALL.

DOME

COMPRESSION RING

RUBBER GASKET

FABRIC OVER RAFTERS  
INSTALL PER MFR  
(INSULATION OPTIONAL)

STND CORR  
CONNECTOR  
@ EA. RAFTER (OPTIONAL)

ROOF FRAMING  
2 x 4 RAFTERS TYP  
(2 x 6 OPTIONAL)

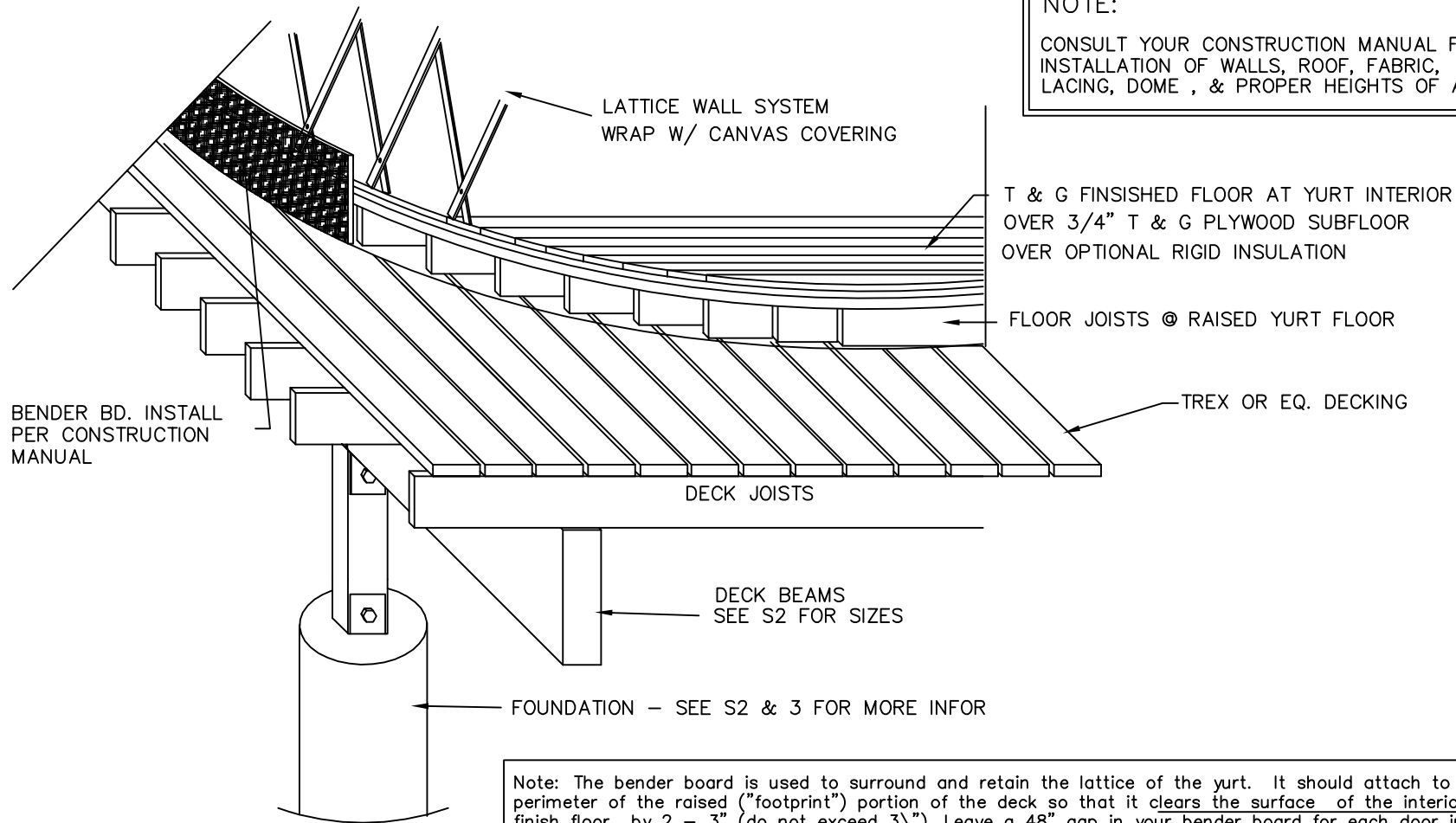
2

T Y P. D E T A I L

RAFTER/DOME CONNECTION

YURT RAFTER DETAILS

SHEET #5



**NOTE:**  
 CONSULT YOUR CONSTRUCTION MANUAL FOR  
 INSTALLATION OF WALLS, ROOF, FABRIC,  
 LACING, DOME , & PROPER HEIGHTS OF ALL.

BENDER BD. INSTALL  
 PER CONSTRUCTION  
 MANUAL

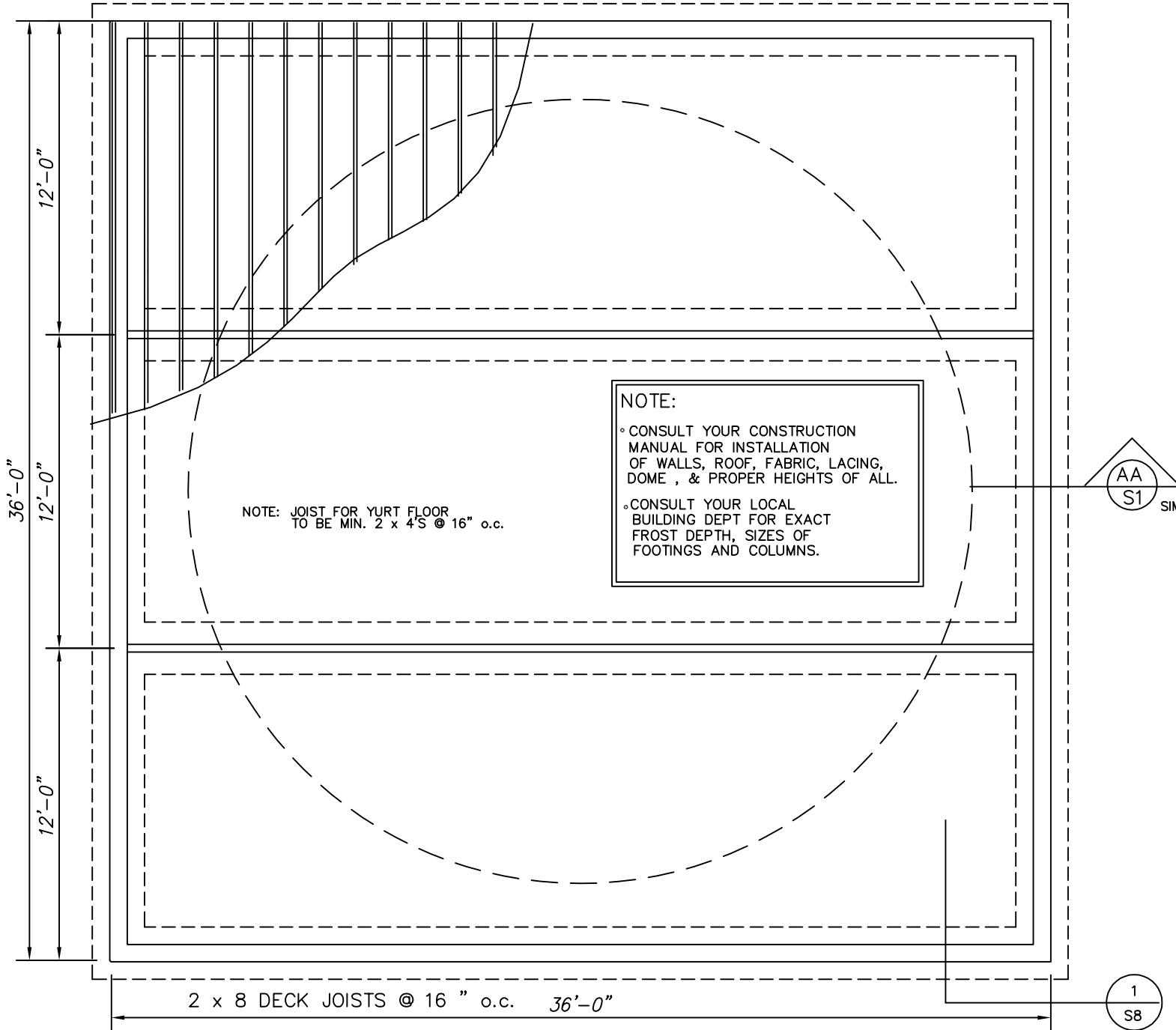
Note: The bender board is used to surround and retain the lattice of the yurt. It should attach to the perimeter of the raised ("footprint") portion of the deck so that it clears the surface of the interior finish floor by 2 - 3" (do not exceed 3"). Leave a 48" gap in your bender board for each door in your yurt. (56" gap for French doors).For placement of non-symetrical door call manufacturer.

The bender board can be attached outside of the finished size of the footprint. (e.g. a 20' yurt footprint equals 20' diameter plus the thickness of the bender board.

Choose an appropriate material for your bender board. 1 X Trex fascia bd or better  
 Alternative: Use pressure treated plywood, redwood or equal.

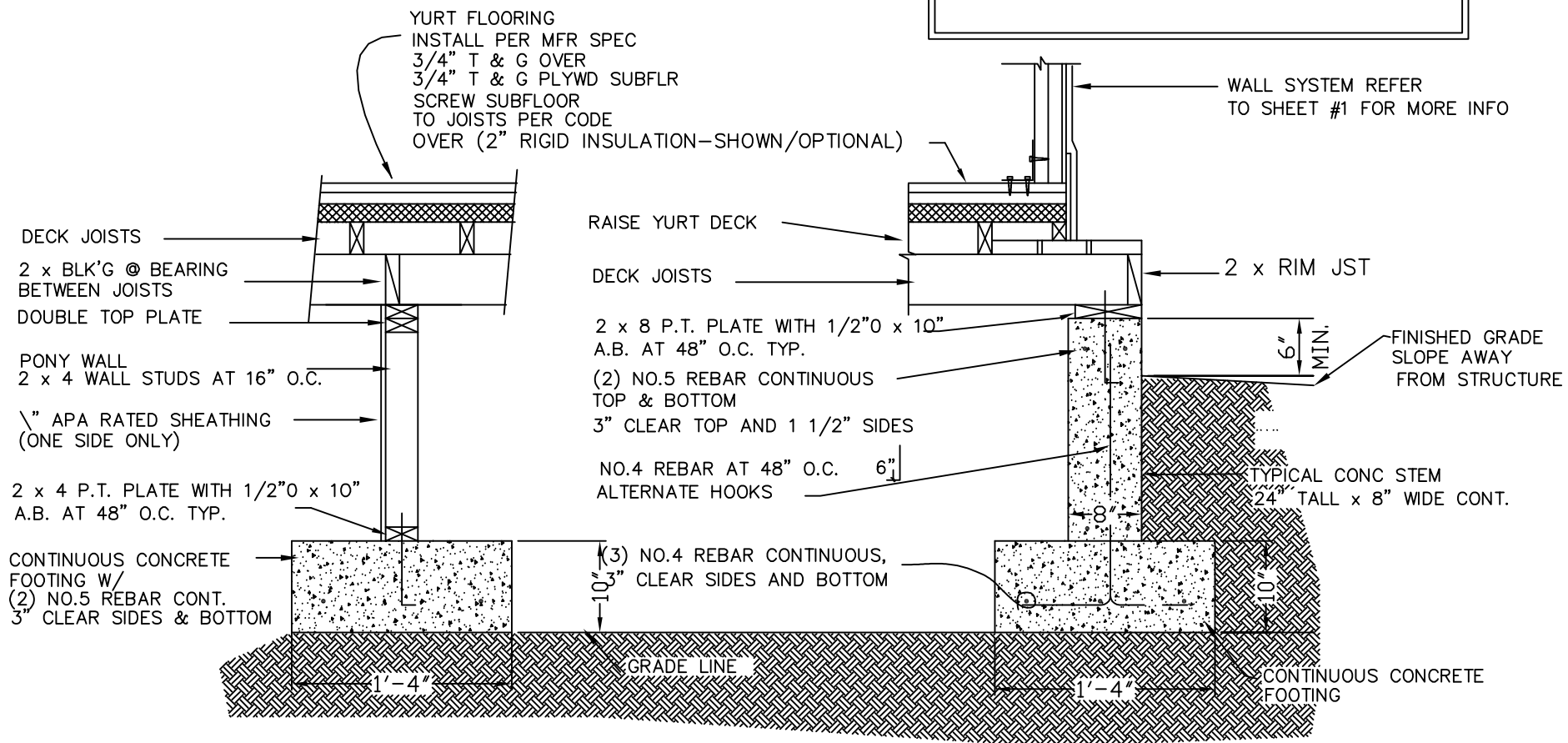
YURT ISOMETRIC

SHEET #6



**NOTE:**

- CONSULT YOUR CONSTRUCTION MANUAL FOR INSTALLATION OF WALLS, ROOF, FABRIC, LACING, DOME , & PROPER HEIGHTS OF ALL.
- CONSULT YOUR LOCAL BUILDING DEPT FOR EXACT FROST DEPTH, SIZES OF FOOTINGS AND COLUMNS.



1 ALTERNATE FOUNDATION DETAIL